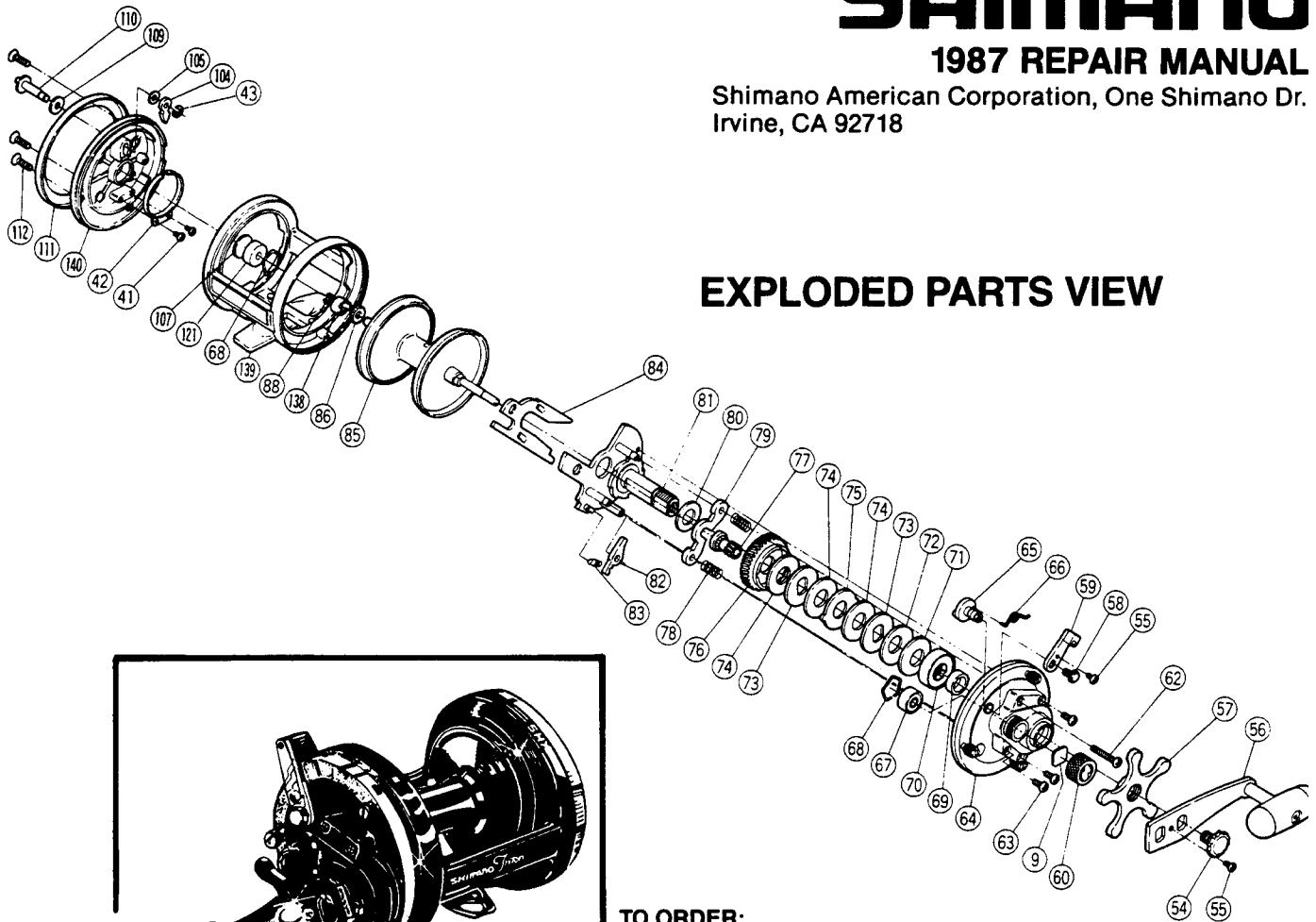


SHIMANO

1987 REPAIR MANUAL

Shimano American Corporation, One Shimano Dr.
Irvine, CA 92718



EXPLODED PARTS VIEW

TO ORDER:
This reel belongs to the "Triton" series.
Please order parts using the abbreviation
"TRN" and the part number.

TRITON[®] MARK III S

PART # DESCRIPTION

- 9. Cast Control Spacer
- 41. Click Spring Screw
- 42. Click Spring
- 43. "C" Lock A
- 54. Handle Bolt
- 55. Handle Bolt Lock Screw
- 56. Handle
- 57. Drag Star
- 58. Clutch Lever Screw
- 59. Clutch Lever
- 60. Cast Control Cap
- 62. Right Side Plate Screw
- 63. Set Plate Screw
- 64. Right Side Plate
- 65. Eccentric Cam
- 66. Eccentric Cam Spring
- 67. Right Spool Shaft Bearing

PART # DESCRIPTION

- 68. Right Bearing Lock
- 69. Drag Tube
- 70. Drag Bearing
- 71. Soft Spring Washer
- 72. Hard Spring Washer
- 73. Drag Disk
- 74. Drag Washer
- 75. Key Washer
- 76. Drive Gear
- 77. Pinion Gear
- 78. Pinion Yoke Spring
- 79. Pinion Yoke
- 80. Base Drag Washer
- 81. Set Plate
- 82. Anti Reverse Dog
- 83. A/R Dog Spring

PART # DESCRIPTION

- 84. Eccentric Jack
- 85. Spool
- 86. Click Gear
- 88. Spool Shaft Gear Lock
- 104. Click Pawl
- 105. Click Pawl Washer
- 107. Friction Shim
- 109. Click Button Washer
- 110. Click Button
- 111. Left Side Ring
- 112. Left Side Plate Screw
- 121. Left Spool Shaft Bushing
- 138. Spool Shaft Spacer
- 139. Frame
- 140. Left Side Plate
- SATRTNM3S. Complete Spool Assy.

Prices and specifications subject to change without notice.

JUNE 1987